

HINGE & DOOR PANEL WITH INFILL PANEL

Overview

hinged door with adjacent infill panel

An INFILL/FIXED panel next to a door is another popular configuration.

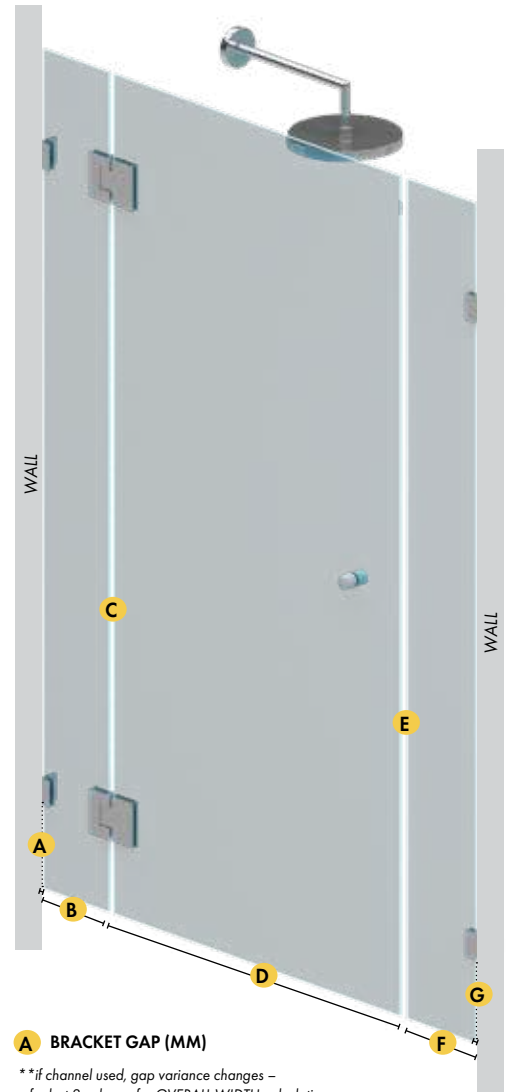
This guide outlines sizes available for in line configuration featuring a hinge panel with door and infill/fix panel.

10mm thick clear toughened

1mm radius corners

Individually boxed panels

Flat polished edges



A BRACKET GAP (MM)

***if channel used, gap variance changes – refer last 2 columns for OVERALL WIDTH calculation*

B GLASS HINGE PANEL WIDTH (MM)

C HINGE GAP (MM)

D GLASS DOOR PANEL WIDTH (MM)

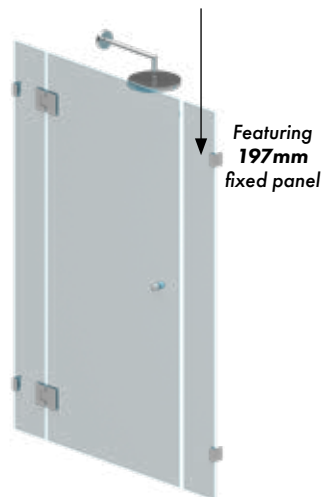
E GAP (MM)

F GLASS FIXED PANEL WIDTH (MM)

G BRACKET GAP (MM)

HINGE & DOOR PANEL WITH INFILL PANEL

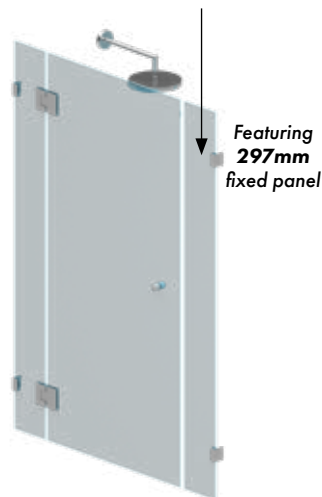
B GLASS HINGE PANEL WIDTH (MM)	C HINGE GAP (MM)	D GLASS DOOR PANEL WIDTH (MM)	E GAP (MM)	F GLASS FIXED PANEL WIDTH (MM)	A & G – OPTION 1	A & G – OPTION 2	A & G – OPTION 3
					OVERALL WIDTH (MM) <i>Using wall bracket both sides</i>	OVERALL WIDTH (MM) <i>Using U Channel both sides</i>	OVERALL WIDTH (MM) <i>Using "Extended" U Channel both sides</i>
229	5	600	3	197	1040mm	1054-1057mm	1054-1074mm
229	5	610	3	197	1050mm	1064-1067mm	1064-1084mm
229	5	620	3	197	1060mm	1074-1077mm	1074-1094mm
229	5	630	3	197	1070mm	1084-1087mm	1084-1104mm
229	5	640	3	197	1080mm	1094-1097mm	1094-1114mm
279	5	600	3	197	1090mm	1104-1107mm	1104-1124mm
279	5	610	3	197	1100mm	1114-1117mm	1114-1134mm
279	5	620	3	197	1110mm	1124-1127mm	1124-1144mm
279	5	630	3	197	1120mm	1134-1137mm	1134-1154mm
279	5	640	3	197	1130mm	1144-1147mm	1144-1164mm
329	5	600	3	197	1140mm	1154-1157mm	1154-1174mm
329	5	610	3	197	1150mm	1164-1167mm	1164-1184mm
329	5	620	3	197	1160mm	1174-1177mm	1174-1194mm
329	5	630	3	197	1170mm	1184-1187mm	1184-1204mm
329	5	640	3	197	1180mm	1194-1197mm	1194-1214mm
379	5	600	3	197	1190mm	1204-1207mm	1204-1224mm
379	5	610	3	197	1200mm	1214-1217mm	1214-1234mm
379	5	620	3	197	1210mm	1224-1227mm	1224-1244mm
379	5	630	3	197	1220mm	1234-1237mm	1234-1254mm
379	5	640	3	197	1230mm	1244-1247mm	1244-1264mm
429	5	600	3	197	1240mm	1254-1257mm	1254-1274mm
429	5	610	3	197	1250mm	1264-1267mm	1264-1284mm
429	5	620	3	197	1260mm	1274-1277mm	1274-1294mm
429	5	630	3	197	1270mm	1284-1287mm	1284-1304mm
429	5	640	3	197	1280mm	1294-1297mm	1294-1314mm
479	5	600	3	197	1290mm	1304-1307mm	1304-1324mm
479	5	610	3	197	1300mm	1314-1317mm	1314-1334mm
479	5	620	3	197	1310mm	1324-1327mm	1324-1344mm
479	5	630	3	197	1320mm	1334-1337mm	1334-1354mm
479	5	640	3	197	1330mm	1344-1347mm	1344-1364mm
529	5	600	3	197	1340mm	1354-1357mm	1354-1374mm
529	5	610	3	197	1350mm	1364-1367mm	1364-1384mm
529	5	620	3	197	1360mm	1374-1377mm	1374-1394mm
529	5	630	3	197	1370mm	1384-1387mm	1384-1404mm
529	5	640	3	197	1380mm	1394-1397mm	1394-1414mm
579	5	600	3	197	1390mm	1404-1407mm	1404-1424mm
579	5	610	3	197	1400mm	1414-1417mm	1414-1434mm
579	5	620	3	197	1410mm	1424-1427mm	1424-1444mm
579	5	630	3	197	1420mm	1434-1437mm	1434-1454mm
579	5	640	3	197	1430mm	1444-1447mm	1444-1464mm



CONTINUED ON FOLLOWING PAGE...

HINGE & DOOR PANEL WITH INFILL PANEL

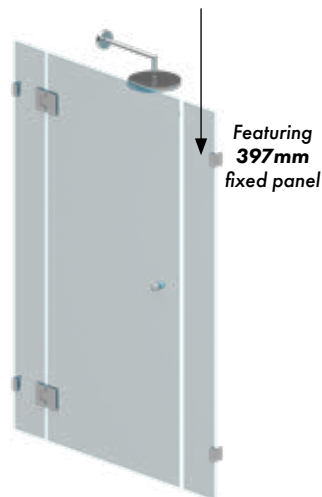
B GLASS HINGE PANEL WIDTH (MM)	C HINGE GAP (MM)	D GLASS DOOR PANEL WIDTH (MM)	E GAP (MM)	F GLASS FIXED PANEL WIDTH (MM)	A & G – OPTION 1	A & G – OPTION 2	A & G – OPTION 3
					OVERALL WIDTH (MM) <i>Using wall bracket both sides</i>	OVERALL WIDTH (MM) <i>Using U Channel both sides</i>	OVERALL WIDTH (MM) <i>Using "Extended" U Channel both sides</i>
229	5	600	3	297	1140mm	1154-1157mm	1154-1174mm
229	5	610	3	297	1150mm	1164-1167mm	1164-1184mm
229	5	620	3	297	1160mm	1174-1177mm	1174-1194mm
229	5	630	3	297	1170mm	1184-1187mm	1184-1204mm
229	5	640	3	297	1180mm	1194-1197mm	1194-1214mm
279	5	600	3	297	1190mm	1204-1207mm	1204-1224mm
279	5	610	3	297	1200mm	1214-1217mm	1214-1234mm
279	5	620	3	297	1210mm	1224-1227mm	1224-1244mm
279	5	630	3	297	1220mm	1234-1237mm	1234-1254mm
279	5	640	3	297	1230mm	1244-1247mm	1244-1264mm
329	5	600	3	297	1240mm	1254-1257mm	1254-1274mm
329	5	610	3	297	1250mm	1264-1267mm	1264-1284mm
329	5	620	3	297	1260mm	1274-1277mm	1274-1294mm
329	5	630	3	297	1270mm	1284-1287mm	1284-1304mm
329	5	640	3	297	1280mm	1294-1297mm	1294-1314mm
379	5	600	3	297	1290mm	1304-1307mm	1304-1324mm
379	5	610	3	297	1300mm	1314-1317mm	1314-1334mm
379	5	620	3	297	1310mm	1324-1327mm	1324-1344mm
379	5	630	3	297	1320mm	1334-1337mm	1334-1354mm
379	5	640	3	297	1330mm	1344-1347mm	1344-1364mm
429	5	600	3	297	1340mm	1354-1357mm	1354-1374mm
429	5	610	3	297	1350mm	1364-1367mm	1364-1384mm
429	5	620	3	297	1360mm	1374-1377mm	1374-1394mm
429	5	630	3	297	1370mm	1384-1387mm	1384-1404mm
429	5	640	3	297	1380mm	1394-1397mm	1394-1414mm
479	5	600	3	297	1390mm	1404-1407mm	1404-1424mm
479	5	610	3	297	1400mm	1414-1417mm	1414-1434mm
479	5	620	3	297	1410mm	1424-1427mm	1424-1444mm
479	5	630	3	297	1420mm	1434-1437mm	1434-1454mm
479	5	640	3	297	1430mm	1444-1447mm	1444-1464mm
529	5	600	3	297	1440mm	1454-1457mm	1454-1474mm
529	5	610	3	297	1450mm	1464-1467mm	1464-1484mm
529	5	620	3	297	1460mm	1474-1477mm	1474-1494mm
529	5	630	3	297	1470mm	1484-1487mm	1484-1504mm
529	5	640	3	297	1480mm	1494-1497mm	1494-1514mm
579	5	600	3	297	1490mm	1504-1507mm	1504-1524mm
579	5	610	3	297	1500mm	1514-1517mm	1514-1534mm
579	5	620	3	297	1510mm	1524-1527mm	1524-1544mm
579	5	630	3	297	1520mm	1534-1537mm	1534-1554mm
579	5	640	3	297	1530mm	1544-1547mm	1544-1564mm



CONTINUED ON FOLLOWING PAGE...

HINGE & DOOR PANEL WITH INFILL PANEL

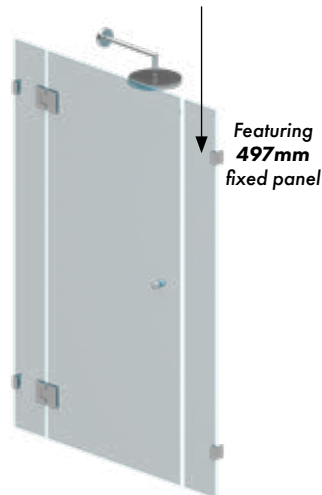
B GLASS HINGE PANEL WIDTH (MM)	C HINGE GAP (MM)	D GLASS DOOR PANEL WIDTH (MM)	E GAP (MM)	F GLASS FIXED PANEL WIDTH (MM)	A & G – OPTION 1	A & G – OPTION 2	A & G – OPTION 3
					OVERALL WIDTH (MM) <i>Using wall bracket both sides</i>	OVERALL WIDTH (MM) <i>Using U Channel both sides</i>	OVERALL WIDTH (MM) <i>Using "Extended" U Channel both sides</i>
229	5	600	3	397	1240mm	1254-1257mm	1254-1274mm
229	5	610	3	397	1250mm	1264-1267mm	1264-1284mm
229	5	620	3	397	1260mm	1274-1277mm	1274-1294mm
229	5	630	3	397	1270mm	1284-1287mm	1284-1304mm
229	5	640	3	397	1280mm	1294-1297mm	1294-1314mm
279	5	600	3	397	1290mm	1304-1307mm	1304-1324mm
279	5	610	3	397	1300mm	1314-1317mm	1314-1334mm
279	5	620	3	397	1310mm	1324-1327mm	1324-1344mm
279	5	630	3	397	1320mm	1334-1337mm	1334-1354mm
279	5	640	3	397	1330mm	1344-1347mm	1344-1364mm
329	5	600	3	397	1340mm	1354-1357mm	1354-1374mm
329	5	610	3	397	1350mm	1364-1367mm	1364-1384mm
329	5	620	3	397	1360mm	1374-1377mm	1374-1394mm
329	5	630	3	397	1370mm	1384-1387mm	1384-1404mm
329	5	640	3	397	1380mm	1394-1397mm	1394-1414mm
379	5	600	3	397	1390mm	1404-1407mm	1404-1424mm
379	5	610	3	397	1400mm	1414-1417mm	1414-1434mm
379	5	620	3	397	1410mm	1424-1427mm	1424-1444mm
379	5	630	3	397	1420mm	1434-1437mm	1434-1454mm
379	5	640	3	397	1430mm	1444-1447mm	1444-1464mm
429	5	600	3	397	1440mm	1454-1457mm	1454-1474mm
429	5	610	3	397	1450mm	1464-1467mm	1464-1484mm
429	5	620	3	397	1460mm	1474-1477mm	1474-1494mm
429	5	630	3	397	1470mm	1484-1487mm	1484-1504mm
429	5	640	3	397	1480mm	1494-1497mm	1494-1514mm
479	5	600	3	397	1490mm	1504-1507mm	1504-1524mm
479	5	610	3	397	1500mm	1514-1517mm	1514-1534mm
479	5	620	3	397	1510mm	1524-1527mm	1524-1544mm
479	5	630	3	397	1520mm	1534-1537mm	1534-1554mm
479	5	640	3	397	1530mm	1544-1547mm	1544-1564mm
529	5	600	3	397	1540mm	1554-1557mm	1554-1574mm
529	5	610	3	397	1550mm	1564-1567mm	1564-1584mm
529	5	620	3	397	1560mm	1574-1577mm	1574-1594mm
529	5	630	3	397	1570mm	1584-1587mm	1584-1604mm
529	5	640	3	397	1580mm	1594-1597mm	1594-1614mm
579	5	600	3	397	1590mm	1604-1607mm	1604-1624mm
579	5	610	3	397	1600mm	1614-1617mm	1614-1634mm
579	5	620	3	397	1610mm	1624-1627mm	1624-1644mm
579	5	630	3	397	1620mm	1634-1637mm	1634-1654mm
579	5	640	3	397	1630mm	1644-1647mm	1644-1664mm



CONTINUED ON FOLLOWING PAGE...

HINGE & DOOR PANEL WITH INFILL PANEL

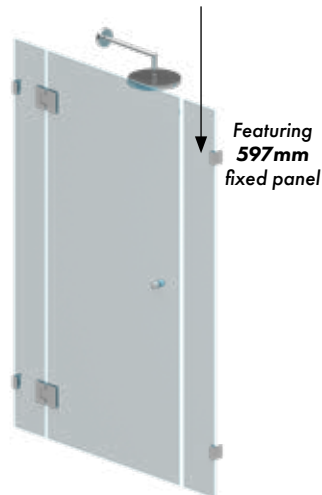
B GLASS HINGE PANEL WIDTH (MM)	C HINGE GAP (MM)	D GLASS DOOR PANEL WIDTH (MM)	E GAP (MM)	F GLASS FIXED PANEL WIDTH (MM)	A & G – OPTION 1	A & G – OPTION 2	A & G – OPTION 3
					OVERALL WIDTH (MM) <i>Using wall bracket both sides</i>	OVERALL WIDTH (MM) <i>Using U Channel both sides</i>	OVERALL WIDTH (MM) <i>Using "Extended" U Channel both sides</i>
229	5	600	3	497	1340mm	1354-1357mm	1354-1374mm
229	5	610	3	497	1350mm	1364-1367mm	1364-1384mm
229	5	620	3	497	1360mm	1374-1377mm	1374-1394mm
229	5	630	3	497	1370mm	1384-1387mm	1384-1404mm
229	5	640	3	497	1380mm	1394-1397mm	1394-1414mm
279	5	600	3	497	1390mm	1404-1407mm	1404-1424mm
279	5	610	3	497	1400mm	1414-1417mm	1414-1434mm
279	5	620	3	497	1410mm	1424-1427mm	1424-1444mm
279	5	630	3	497	1420mm	1434-1437mm	1434-1454mm
279	5	640	3	497	1430mm	1444-1447mm	1444-1464mm
329	5	600	3	497	1440mm	1454-1457mm	1454-1474mm
329	5	610	3	497	1450mm	1464-1467mm	1464-1484mm
329	5	620	3	497	1460mm	1474-1477mm	1474-1494mm
329	5	630	3	497	1470mm	1484-1487mm	1484-1504mm
329	5	640	3	497	1480mm	1494-1497mm	1494-1514mm
379	5	600	3	497	1490mm	1504-1507mm	1504-1524mm
379	5	610	3	497	1500mm	1514-1517mm	1514-1534mm
379	5	620	3	497	1510mm	1524-1527mm	1524-1544mm
379	5	630	3	497	1520mm	1534-1537mm	1534-1554mm
379	5	640	3	497	1530mm	1544-1547mm	1544-1564mm
429	5	600	3	497	1540mm	1554-1557mm	1554-1574mm
429	5	610	3	497	1550mm	1564-1567mm	1564-1584mm
429	5	620	3	497	1560mm	1574-1577mm	1574-1594mm
429	5	630	3	497	1570mm	1584-1587mm	1584-1604mm
429	5	640	3	497	1580mm	1594-1597mm	1594-1614mm
479	5	600	3	497	1590mm	1604-1607mm	1604-1624mm
479	5	610	3	497	1600mm	1614-1617mm	1614-1634mm
479	5	620	3	497	1610mm	1624-1627mm	1624-1644mm
479	5	630	3	497	1620mm	1634-1637mm	1634-1654mm
479	5	640	3	497	1630mm	1644-1647mm	1644-1664mm
529	5	600	3	497	1640mm	1654-1657mm	1654-1674mm
529	5	610	3	497	1650mm	1664-1667mm	1664-1684mm
529	5	620	3	497	1660mm	1674-1677mm	1674-1694mm
529	5	630	3	497	1670mm	1684-1687mm	1684-1704mm
529	5	640	3	497	1680mm	1694-1697mm	1694-1714mm
579	5	600	3	497	1690mm	1704-1707mm	1704-1724mm
579	5	610	3	497	1700mm	1714-1717mm	1714-1734mm
579	5	620	3	497	1710mm	1724-1727mm	1724-1744mm
579	5	630	3	497	1720mm	1734-1737mm	1734-1754mm
579	5	640	3	497	1730mm	1744-1747mm	1744-1764mm



CONTINUED ON FOLLOWING PAGE...

HINGE & DOOR PANEL WITH INFILL PANEL

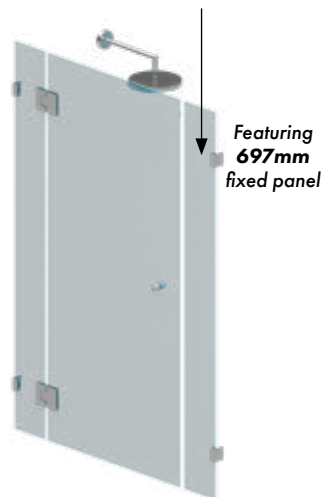
B GLASS HINGE PANEL WIDTH (MM)	C HINGE GAP (MM)	D GLASS DOOR PANEL WIDTH (MM)	E GAP (MM)	F GLASS FIXED PANEL WIDTH (MM)	A & G – OPTION 1	A & G – OPTION 2	A & G – OPTION 3
					OVERALL WIDTH (MM) <i>Using wall bracket both sides</i>	OVERALL WIDTH (MM) <i>Using U Channel both sides</i>	OVERALL WIDTH (MM) <i>Using "Extended" U Channel both sides</i>
229	5	600	3	597	1440mm	1454-1457mm	1454-1474mm
229	5	610	3	597	1450mm	1464-1467mm	1464-1484mm
229	5	620	3	597	1460mm	1474-1477mm	1474-1494mm
229	5	630	3	597	1470mm	1484-1487mm	1484-1504mm
229	5	640	3	597	1480mm	1494-1497mm	1494-1514mm
279	5	600	3	597	1490mm	1504-1507mm	1504-1524mm
279	5	610	3	597	1500mm	1514-1517mm	1514-1534mm
279	5	620	3	597	1510mm	1524-1527mm	1524-1544mm
279	5	630	3	597	1520mm	1534-1537mm	1534-1554mm
279	5	640	3	597	1530mm	1544-1547mm	1544-1564mm
329	5	600	3	597	1540mm	1554-1557mm	1554-1574mm
329	5	610	3	597	1550mm	1564-1567mm	1564-1584mm
329	5	620	3	597	1560mm	1574-1577mm	1574-1594mm
329	5	630	3	597	1570mm	1584-1587mm	1584-1604mm
329	5	640	3	597	1580mm	1594-1597mm	1594-1614mm
379	5	600	3	597	1590mm	1604-1607mm	1604-1624mm
379	5	610	3	597	1600mm	1614-1617mm	1614-1634mm
379	5	620	3	597	1610mm	1624-1627mm	1624-1644mm
379	5	630	3	597	1620mm	1634-1637mm	1634-1654mm
379	5	640	3	597	1630mm	1644-1647mm	1644-1664mm
429	5	600	3	597	1640mm	1654-1657mm	1654-1674mm
429	5	610	3	597	1650mm	1664-1667mm	1664-1684mm
429	5	620	3	597	1660mm	1674-1677mm	1674-1694mm
429	5	630	3	597	1670mm	1684-1687mm	1684-1704mm
429	5	640	3	597	1680mm	1694-1697mm	1694-1714mm
479	5	600	3	597	1690mm	1704-1707mm	1704-1724mm
479	5	610	3	597	1700mm	1714-1717mm	1714-1734mm
479	5	620	3	597	1710mm	1724-1727mm	1724-1744mm
479	5	630	3	597	1720mm	1734-1737mm	1734-1754mm
479	5	640	3	597	1730mm	1744-1747mm	1744-1764mm
529	5	600	3	597	1740mm	1754-1757mm	1754-1774mm
529	5	610	3	597	1750mm	1764-1767mm	1764-1784mm
529	5	620	3	597	1760mm	1774-1777mm	1774-1794mm
529	5	630	3	597	1770mm	1784-1787mm	1784-1804mm
529	5	640	3	597	1780mm	1794-1797mm	1794-1814mm
579	5	600	3	597	1790mm	1804-1807mm	1804-1824mm
579	5	610	3	597	1800mm	1814-1817mm	1814-1834mm
579	5	620	3	597	1810mm	1824-1827mm	1824-1844mm
579	5	630	3	597	1820mm	1834-1837mm	1834-1854mm
579	5	640	3	597	1830mm	1844-1847mm	1844-1864mm



CONTINUED ON FOLLOWING PAGE...

HINGE & DOOR PANEL WITH INFILL PANEL

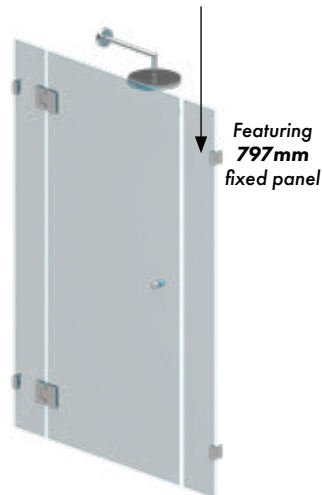
B GLASS HINGE PANEL WIDTH (MM)	C HINGE GAP (MM)	D GLASS DOOR PANEL WIDTH (MM)	E GAP (MM)	F GLASS FIXED PANEL WIDTH (MM)	A & G – OPTION 1	A & G – OPTION 2	A & G – OPTION 3
					OVERALL WIDTH (MM) <i>Using wall bracket both sides</i>	OVERALL WIDTH (MM) <i>Using U Channel both sides</i>	OVERALL WIDTH (MM) <i>Using "Extended" U Channel both sides</i>
229	5	600	3	697	1540mm	1554-1557mm	1554-1574mm
229	5	610	3	697	1550mm	1564-1567mm	1564-1584mm
229	5	620	3	697	1560mm	1574-1577mm	1574-1594mm
229	5	630	3	697	1570mm	1584-1587mm	1584-1604mm
229	5	640	3	697	1580mm	1594-1597mm	1594-1614mm
279	5	600	3	697	1590mm	1604-1607mm	1604-1624mm
279	5	610	3	697	1600mm	1614-1617mm	1614-1634mm
279	5	620	3	697	1610mm	1624-1627mm	1624-1644mm
279	5	630	3	697	1620mm	1634-1637mm	1634-1654mm
279	5	640	3	697	1630mm	1644-1647mm	1644-1664mm
329	5	600	3	697	1640mm	1654-1657mm	1654-1674mm
329	5	610	3	697	1650mm	1664-1667mm	1664-1684mm
329	5	620	3	697	1660mm	1674-1677mm	1674-1694mm
329	5	630	3	697	1670mm	1684-1687mm	1684-1704mm
329	5	640	3	697	1680mm	1694-1697mm	1694-1714mm
379	5	600	3	697	1690mm	1704-1707mm	1704-1724mm
379	5	610	3	697	1700mm	1714-1717mm	1714-1734mm
379	5	620	3	697	1710mm	1724-1727mm	1724-1744mm
379	5	630	3	697	1720mm	1734-1737mm	1734-1754mm
379	5	640	3	697	1730mm	1744-1747mm	1744-1764mm
429	5	600	3	697	1740mm	1754-1757mm	1754-1774mm
429	5	610	3	697	1750mm	1764-1767mm	1764-1784mm
429	5	620	3	697	1760mm	1774-1777mm	1774-1794mm
429	5	630	3	697	1770mm	1784-1787mm	1784-1804mm
429	5	640	3	697	1780mm	1794-1797mm	1794-1814mm
479	5	600	3	697	1790mm	1804-1807mm	1804-1824mm
479	5	610	3	697	1800mm	1814-1817mm	1814-1834mm
479	5	620	3	697	1810mm	1824-1827mm	1824-1844mm
479	5	630	3	697	1820mm	1834-1837mm	1834-1854mm
479	5	640	3	697	1830mm	1844-1847mm	1844-1864mm
529	5	600	3	697	1840mm	1854-1857mm	1854-1874mm
529	5	610	3	697	1850mm	1864-1867mm	1864-1884mm
529	5	620	3	697	1860mm	1874-1877mm	1874-1894mm
529	5	630	3	697	1870mm	1884-1887mm	1884-1904mm
529	5	640	3	697	1880mm	1894-1897mm	1894-1914mm
579	5	600	3	697	1890mm	1904-1907mm	1904-1924mm
579	5	610	3	697	1900mm	1914-1917mm	1914-1934mm
579	5	620	3	697	1910mm	1924-1927mm	1924-1944mm
579	5	630	3	697	1920mm	1934-1937mm	1934-1954mm
579	5	640	3	697	1930mm	1944-1947mm	1944-1964mm



CONTINUED ON FOLLOWING PAGE...

HINGE & DOOR PANEL WITH INFILL PANEL

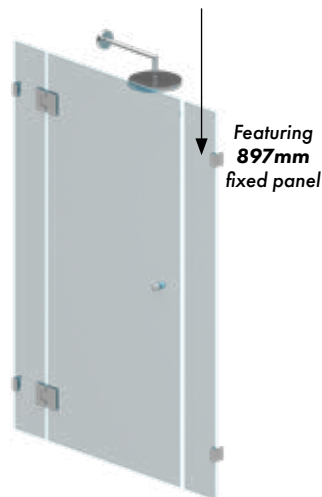
B GLASS HINGE PANEL WIDTH (MM)	C HINGE GAP (MM)	D GLASS DOOR PANEL WIDTH (MM)	E GAP (MM)	F GLASS FIXED PANEL WIDTH (MM)	A & G – OPTION 1	A & G – OPTION 2	A & G – OPTION 3
					OVERALL WIDTH (MM) <i>Using wall bracket both sides</i>	OVERALL WIDTH (MM) <i>Using U Channel both sides</i>	OVERALL WIDTH (MM) <i>Using "Extended" U Channel both sides</i>
229	5	600	3	797	1640mm	1654-1657mm	1654-1674mm
229	5	610	3	797	1650mm	1664-1667mm	1664-1684mm
229	5	620	3	797	1660mm	1674-1677mm	1674-1694mm
229	5	630	3	797	1670mm	1684-1687mm	1684-1704mm
229	5	640	3	797	1680mm	1694-1697mm	1694-1714mm
279	5	600	3	797	1690mm	1704-1707mm	1704-1724mm
279	5	610	3	797	1700mm	1714-1717mm	1714-1734mm
279	5	620	3	797	1710mm	1724-1727mm	1724-1744mm
279	5	630	3	797	1720mm	1734-1737mm	1734-1754mm
279	5	640	3	797	1730mm	1744-1747mm	1744-1764mm
329	5	600	3	797	1740mm	1754-1757mm	1754-1774mm
329	5	610	3	797	1750mm	1764-1767mm	1764-1784mm
329	5	620	3	797	1760mm	1774-1777mm	1774-1794mm
329	5	630	3	797	1770mm	1784-1787mm	1784-1804mm
329	5	640	3	797	1780mm	1794-1797mm	1794-1814mm
379	5	600	3	797	1790mm	1804-1807mm	1804-1824mm
379	5	610	3	797	1800mm	1814-1817mm	1814-1834mm
379	5	620	3	797	1810mm	1824-1827mm	1824-1844mm
379	5	630	3	797	1820mm	1834-1837mm	1834-1854mm
379	5	640	3	797	1830mm	1844-1847mm	1844-1864mm
429	5	600	3	797	1840mm	1854-1857mm	1854-1874mm
429	5	610	3	797	1850mm	1864-1867mm	1864-1884mm
429	5	620	3	797	1860mm	1874-1877mm	1874-1894mm
429	5	630	3	797	1870mm	1884-1887mm	1884-1904mm
429	5	640	3	797	1880mm	1894-1897mm	1894-1914mm
479	5	600	3	797	1890mm	1904-1907mm	1904-1924mm
479	5	610	3	797	1900mm	1914-1917mm	1914-1934mm
479	5	620	3	797	1910mm	1924-1927mm	1924-1944mm
479	5	630	3	797	1920mm	1934-1937mm	1934-1954mm
479	5	640	3	797	1930mm	1944-1947mm	1944-1964mm
529	5	600	3	797	1940mm	1954-1957mm	1954-1974mm
529	5	610	3	797	1950mm	1964-1967mm	1964-1984mm
529	5	620	3	797	1960mm	1974-1977mm	1974-1994mm
529	5	630	3	797	1970mm	1984-1987mm	1984-2004mm
529	5	640	3	797	1980mm	1994-1997mm	1994-2014mm
579	5	600	3	797	1990mm	2004-2007mm	2004-2024mm
579	5	610	3	797	2000mm	2014-2017mm	2014-2034mm
579	5	620	3	797	2010mm	2024-2027mm	2024-2044mm
579	5	630	3	797	2020mm	2034-2037mm	2034-2054mm
579	5	640	3	797	2030mm	2044-2047mm	2044-2064mm



CONTINUED ON FOLLOWING PAGE...

HINGE & DOOR PANEL WITH INFILL PANEL

B GLASS HINGE PANEL WIDTH (MM)	C HINGE GAP (MM)	D GLASS DOOR PANEL WIDTH (MM)	E GAP (MM)	F GLASS FIXED PANEL WIDTH (MM)	A & G – OPTION 1	A & G – OPTION 2	A & G – OPTION 3
					OVERALL WIDTH (MM) <i>Using wall bracket both sides</i>	OVERALL WIDTH (MM) <i>Using U Channel both sides</i>	OVERALL WIDTH (MM) <i>Using "Extended" U Channel both sides</i>
229	5	600	3	897	1740mm	1754-1757mm	1754-1774mm
229	5	610	3	897	1750mm	1764-1767mm	1764-1784mm
229	5	620	3	897	1760mm	1774-1777mm	1774-1794mm
229	5	630	3	897	1770mm	1784-1787mm	1784-1804mm
229	5	640	3	897	1780mm	1794-1797mm	1794-1814mm
279	5	600	3	897	1790mm	1804-1807mm	1804-1824mm
279	5	610	3	897	1800mm	1814-1817mm	1814-1834mm
279	5	620	3	897	1810mm	1824-1827mm	1824-1844mm
279	5	630	3	897	1820mm	1834-1837mm	1834-1854mm
279	5	640	3	897	1830mm	1844-1847mm	1844-1864mm
329	5	600	3	897	1840mm	1854-1857mm	1854-1874mm
329	5	610	3	897	1850mm	1864-1867mm	1864-1884mm
329	5	620	3	897	1860mm	1874-1877mm	1874-1894mm
329	5	630	3	897	1870mm	1884-1887mm	1884-1904mm
329	5	640	3	897	1880mm	1894-1897mm	1894-1914mm
379	5	600	3	897	1890mm	1904-1907mm	1904-1924mm
379	5	610	3	897	1900mm	1914-1917mm	1914-1934mm
379	5	620	3	897	1910mm	1924-1927mm	1924-1944mm
379	5	630	3	897	1920mm	1934-1937mm	1934-1954mm
379	5	640	3	897	1930mm	1944-1947mm	1944-1964mm
429	5	600	3	897	1940mm	1954-1957mm	1954-1974mm
429	5	610	3	897	1950mm	1964-1967mm	1964-1984mm
429	5	620	3	897	1960mm	1974-1977mm	1974-1994mm
429	5	630	3	897	1970mm	1984-1987mm	1984-2004mm
429	5	640	3	897	1980mm	1994-1997mm	1994-2014mm
479	5	600	3	897	1990mm	2004-2007mm	2004-2024mm
479	5	610	3	897	2000mm	2014-2017mm	2014-2034mm
479	5	620	3	897	2010mm	2024-2027mm	2024-2044mm
479	5	630	3	897	2020mm	2034-2037mm	2034-2054mm
479	5	640	3	897	2030mm	2044-2047mm	2044-2064mm
529	5	600	3	897	2040mm	2054-2057mm	2054-2074mm
529	5	610	3	897	2050mm	2064-2067mm	2064-2084mm
529	5	620	3	897	2060mm	2074-2077mm	2074-2094mm
529	5	630	3	897	2070mm	2084-2087mm	2084-2104mm
529	5	640	3	897	2080mm	2094-2097mm	2094-2114mm
579	5	600	3	897	2090mm	2104-2107mm	2104-2124mm
579	5	610	3	897	2100mm	2114-2117mm	2114-2134mm
579	5	620	3	897	2110mm	2124-2127mm	2124-2144mm
579	5	630	3	897	2120mm	2134-2137mm	2134-2154mm
579	5	640	3	897	2130mm	2144-2147mm	2144-2164mm



*NOTE: These tables show configurations possible using up to 897mm wide fixed panels (Column F). Larger spans are possible by using wider fixed panels. Refer p56 for wider fixed panels available.

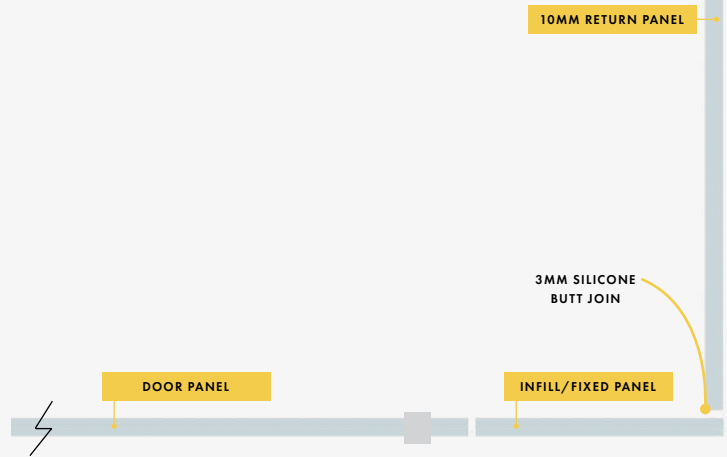


A configuration with a door leading into a fixed/infill panel can be installed with a return panel.

Below diagrams illustrate 2 ways a return panel may be installed.

In both instances a silicone butt joint is required which can be a technically challenging undertaking and should only be attempted by experienced glaziers.

TOP VIEW RETURN PANEL BUTTS TO INFILL PANEL



TOP VIEW INFILL PANEL BUTTS TO RETURN PANEL

